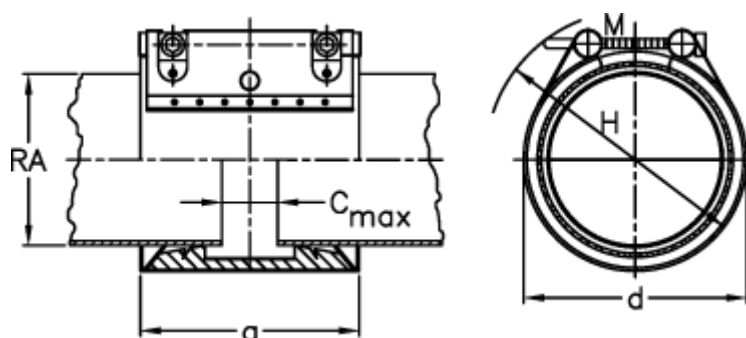


Article number: 025848460108

Description: Norma Connect pipe coupling
COMBI GRIP GL W2 Ø108,0/110 NBR 16 bar

Measures



a = 98.0

C max with insertion band = 25

d = 110

H = 130

M (screw) = M10

Nominal pressure (bar) = 16

RA = 108,0/110,0

RA min-RA max metal = 106,5-110,5

RA min-RA max plastic = 108,0-111,0

Weight a piece = 1.8